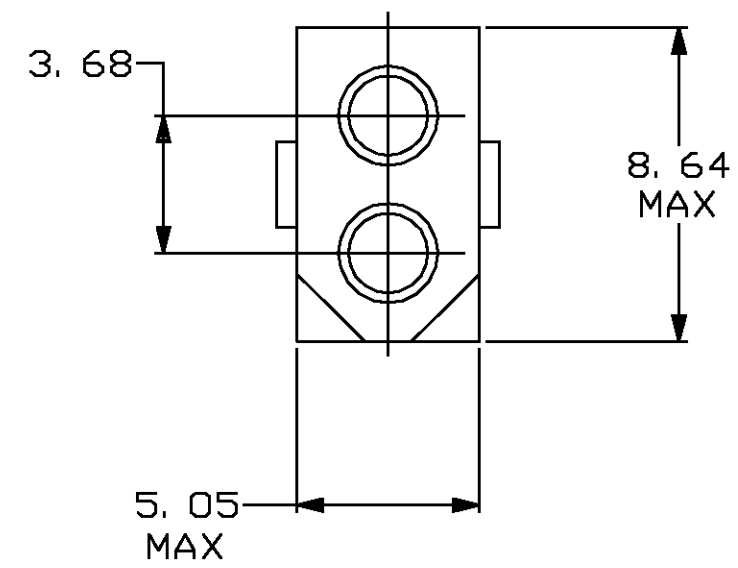
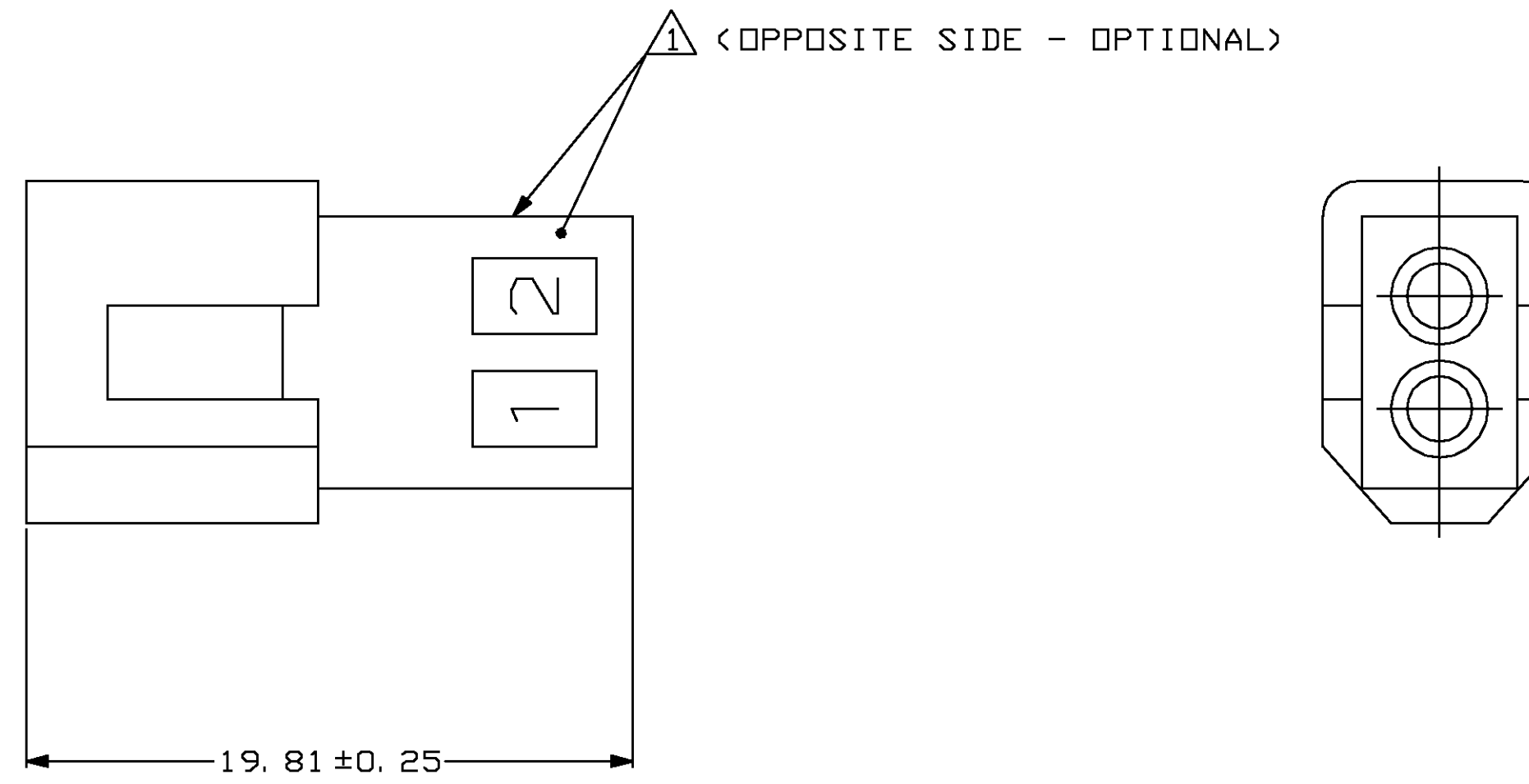
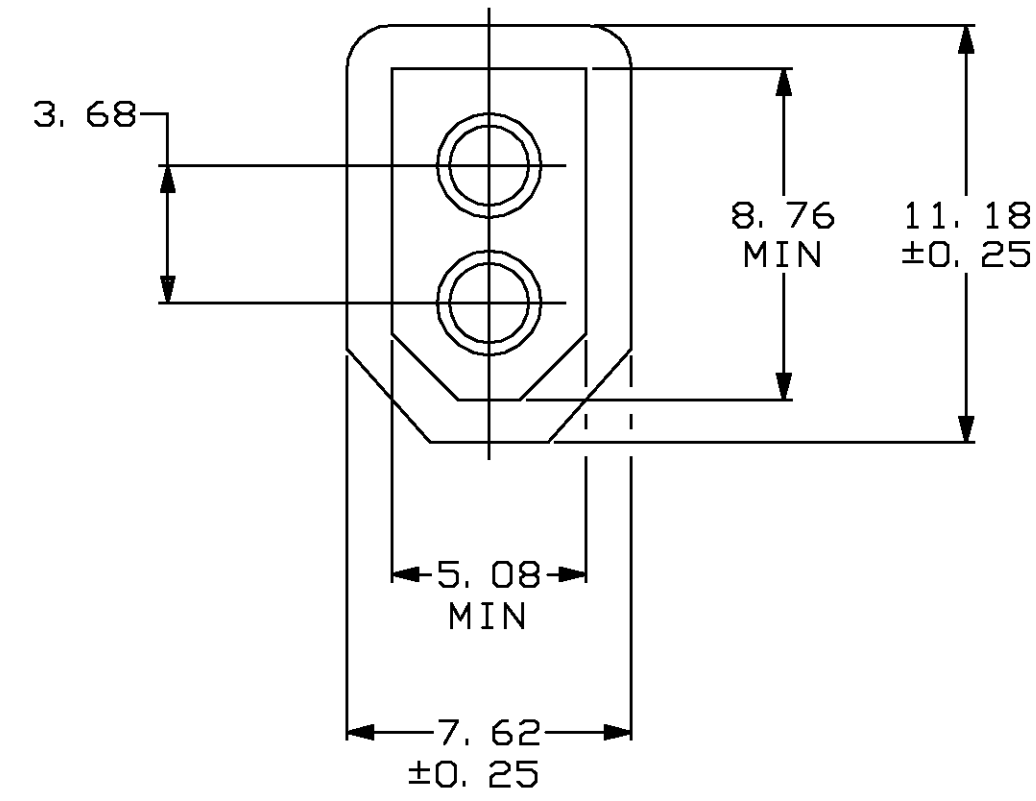
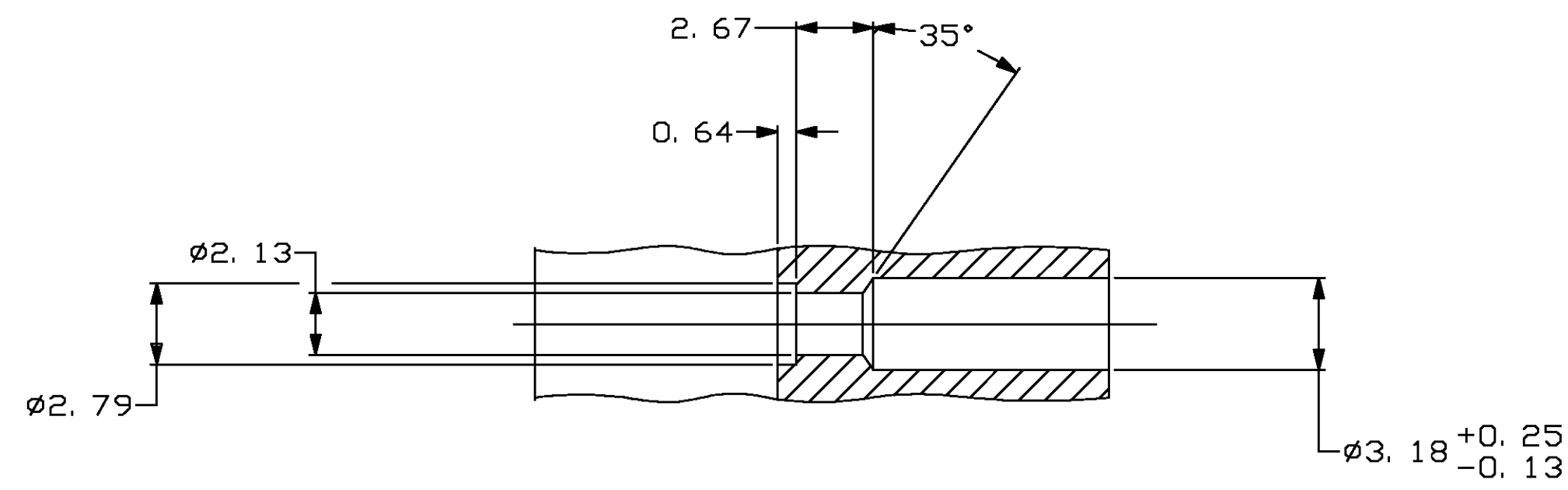


LOC	DIST	REVISIONS			
P	LTR	DESCRIPTION	DATE	DWN	APP'D
G		REVISED PER EC 0G3B-0138-00	30MAY00	LM	SR

1 AMP LOGO AND CAVITY NUMBER LOCATED ON EITHER SURFACE.



MATING CONNECTOR INTERFACE



TYPICAL PLUG CAVITY SECTION
(DIMENSIONS REFERENCE ONLY)

MM	IN	MM	IN	MM	IN
2.67	.105	5.08	.200	19.81	.780
2.13	.084	5.05	.199	11.18	.440
0.64	.025	3.68	.145	8.76	.345
0.25	.010	3.18	.125	8.64	.340
0.13	.005	2.79	.110	7.62	.300

CONVERSION TABLE

METRIC

THIS DRAWING IS A CONTROLLED DOCUMENT.		DWN	L. McEACHIN, Sr.	30MAY00
DIMENSIONS: MM		CHK	S. RIDGILL	30MAY00
TOLERANCES UNLESS OTHERWISE SPECIFIED:		AP'D	S. RIDGILL	30MAY00
0 PLC	±	NAME		
1 PLC	±	AMP Incorporated		
2 PLC	±	Harrisburg, PA 17105-3608		
3 PLC	± 0.13	PLUG, 2 CIRCUIT, .062 PIN AND SOCKET		
4 PLC	±	APPLICATION SPEC		
ANGLES	±	SIZE		
MATERIAL: NYLON, UL 94V-2		FINISH: -		WEIGHT: -
CUSTOMER DRAWING		SCALE: 5:1		SHEET 1 OF 1

BLACK	770340-3
NATURAL	770340-1
COLOR	PART NO

AMP Incorporated
Harrisburg, PA 17105-3608

PLUG, 2 CIRCUIT,
.062 PIN AND SOCKET

SIZE	A1	CASE CODE	C=770340	RESTRICTED TO
SCALE	5:1	SHEET	1 OF 1	REV
CUSTOMER DRAWING				G